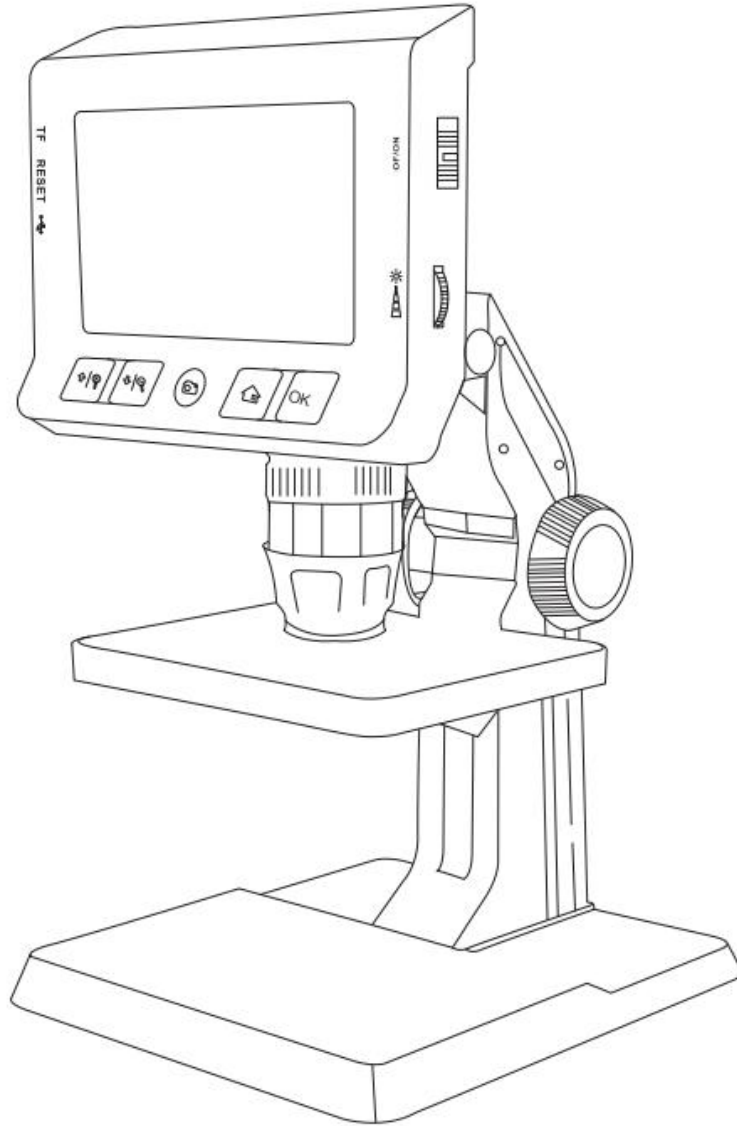


Screen Digital Microscope



Model: P110

SAFETY WARNING:

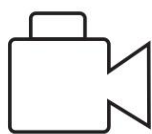
WARNING! Read and understand all instructions. Failure to follow all instructions listed below may result in electric shock, fire and/or serious personal injury.

WELCOME:

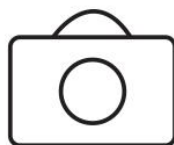
Welcome to buy this product. Please read the instructions carefully before use. This product is equipped with a 4.3-inch high-definition screen. It is a practical device with real-time video viewing, video recording and image capture. Through this product, our research on the microscopic field can be reproduced on the display. It is suitable for the inspection of electronic industry production line, the verification of circuit boards, the identification of calligraphy and painting, teaching and so on.

FEATURES:

1. 4.3-inch full color LCD screen for real-time viewing of test videos,
2. Resolution up to 1080P for image capture, video recording.
3. Continuous zoom, 1-1000 times continuous zoom. The closer the distance, the greater the multiple.
4. The screen can be rotated 180 degrees, suitable for different observation angles.
5. 360 image rotation. And 3 times image zoom in/out.
6. TF card can be installed to achieve file storage function.
7. 8 adjustable LED lights for easy use in dark environments.
8. The large flat support keeps the product stable. The height-adjustable lifting platform is used to adjust the observation distance of objects,



Video



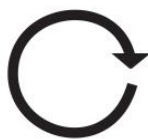
Picture



HD Pixel



TF Card



Rotate



1000X



LED 8 Lights



2600mAh

APPLICATION:

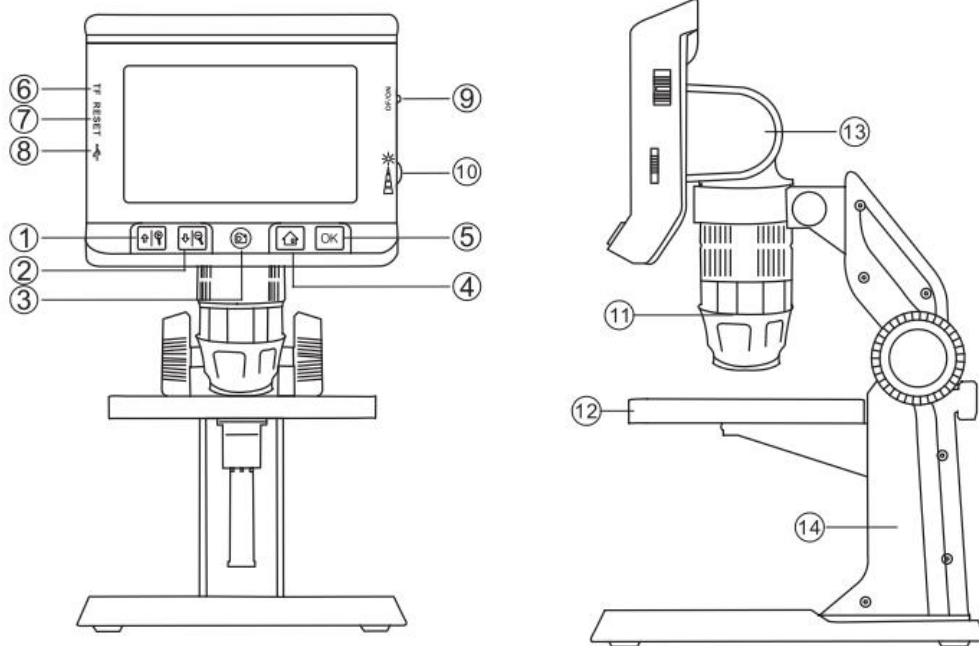
1. scientific research.
2. Product testing
3. teaching demonstrations.
4. Calligraphy and painting, jewelry identification.
5. Archaeology, etc.

ACCESSORIES LIST:

1. 4. 3Inch Digital microscope.
2. Microscope stand.
3. USB Charging cable.
4. User's Guide

FEATURES:

(1) Part name and function




- 1.Up /3X zoom in
- 2 Down/3X zoom out
3. Take photo/Record video
- 4.Menu/back
- 5.OK
- 6.TF card slot
- 7 Reset

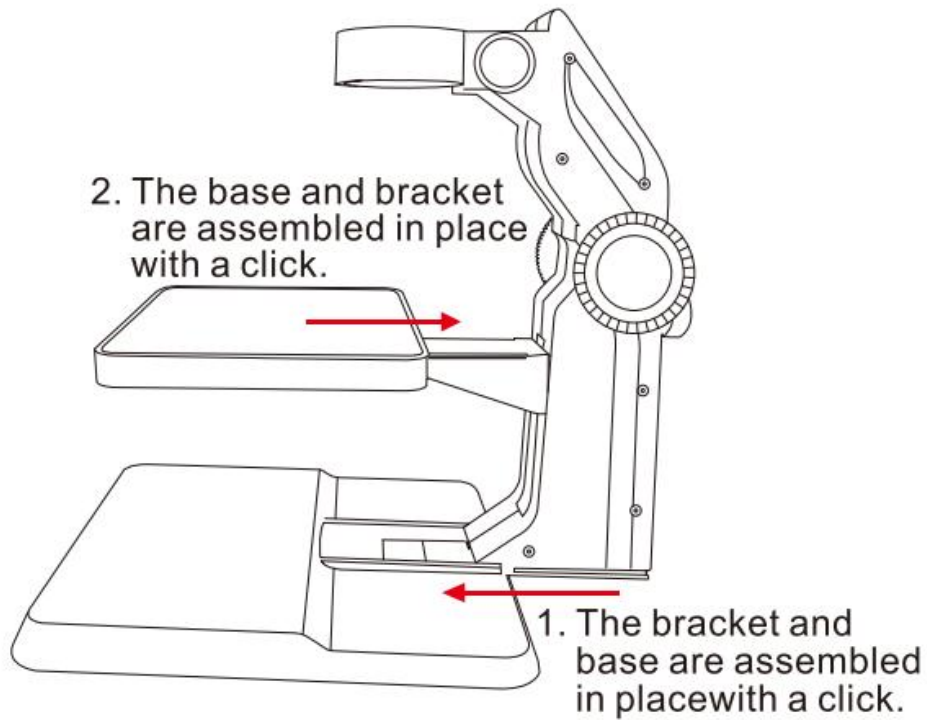
- 8.Charging interface
9. Power on/off
10. wheel to adjust LED lights
11. wheel to adjust focal length
12. lifting platform
13. Screen angle adjustment
14. Stand

FUNCTION INTRODUCE

1. The focal wheel can adjust focal length. Which can do 1-1000 times continuous zoom. The closer the distance, the greater the multiple,
2. Micro TF card slot: supports up to 128GB Micro TF card, Only supports TF cards with class 10 or higher FAT32 format (TF card which not in FAT32 format, will be automatically formatted into FAT32 format after being inserted into the device.)
3. Micro seat: 5V power supply.
4. Switch button: Up or down Toggle Switches
5. Photo button: short press to take a photo, long press the start the video, then short press once to stop.
6. Menu button: Short press to enter the menu page, where you can view Photo/videos/Resolution/ language/brightness /Screen Rotation/Time Stamp/Time Setting/Formatting/Reset System/Storage/Software Version Short press again to back.
7. Up button: It is up when in the menu interface, and it is zoom in when in the image interface.
8. Down button: It is down when in the menu interface, and it is zoom out when in the image interface.
9. OK button: short press to confirm.
10. LED brightness adjustment wheel : used to adjust the 8 LED lights of the camera.
11. Indicator light: The charging indicator on the left is always red when charging, and automatically turns off when fully charged.
12. Screen angle adjustment: 180 degree angle adjustment.

INSTALLATION NOTES

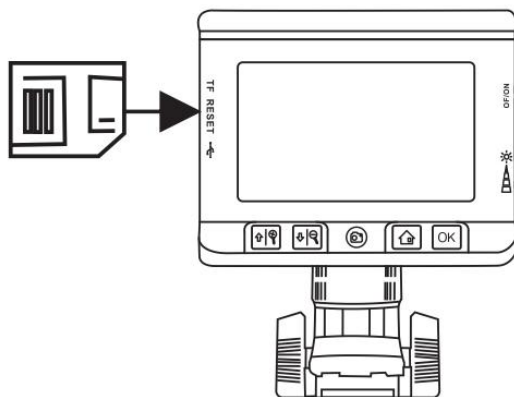
 Note: The base and the bracket cannot be disassembled after the assembly is completed



STEPS FOR USAGE:

(1) Basic operation

1. Assemble the stand
2. Insert the Micro TF card into the Micro TF card slot; press gently until the card is locked (note: the class 10 Micro TF card must be inserted to record and store pictures and videos).



- 3.Up Toggle Switches to turn on the device, and turn the LED brightness adjustment wheel to adjust the brightness of the camera light.
- 4.Adjust the lifting platform to a suitable height.
5. Turn the focus wheel until the picture is clear.
6. Short press take a photo, long press record video, press again to stop the recording

CHARGING:

- 1.2600 mAh rechargeable lithium battery
- 2.Please plug the small end of the power adapter into the DC 5V-in port Then plug the other end of the power ad apter into a standard AC outlet to supply power
3. The red power indicator light is always on when charging, and it goes out when it is full.

TROUBLESHOOTING:

Model	P110
Magnification	1-1000 times continuous zoom
Monitor	4.3-inch color LCD
Camera resolution	1920*1080p
Image sensor	Hight performance sensor
Lens structure	2G+IR
Battery	2600mAh lithium battery
Language	English,Chinese,Japanese,French,German,Czech, Polish,Dutch,Turkish
Screen angle adjustment	180 degree
Focal length	Adjustable
Light source	8 LED light

TROUBLESHOOTING:

Problem	Resolution
The image is not clear	Turn the focus wheel until the picture is clear
Device cannot be turned on	1. Does the battery have electricity? 2. Has the power been successfully connected?
TF card reading is unsuccessful	1. Is the memory card format correct?(this device only supports FAT 32 file format) 2.Reinsert the TF card after removing it.
Device crash	Insert a pin into the reset hole, and then toggle the power button to reset.
Smudged or smeared on the screen	Carefully clean the screen with a soft cloth
The battery is not charging	Plug in the DC input port of the device to ensure that the outlet is powered and not faulty.

FCC INFORMATION

This device complies with Part 15 of the FCC Rules. Subject to the following two conditions:

- (1) This device does not cause harmful interference.
- (2) This device must accept any interference received, including interference that may cause undesired operation. Changes or modifications not expressly approved by the party responsible for compliance could void the user's authority to operate the equipment

EU ENVIRONMENTAL PROTECTION:

Waste electrical products should not be disposed of with household waste. Please consult your local government or retailer for recycling advice.

There are any minor changes to the numbers included in the user manual without prior notice.

