

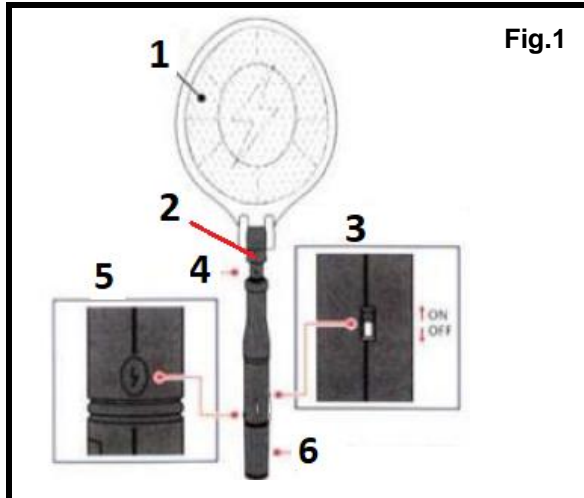
## INSTRUCTIONS MANUAL

**PLEASE READ THIS INSTRUCTIONS MANUAL CAREFULLY AND KEEP IT FOR FUTURE REFERENCE.**

**WARNINGS**


1. Only use the product as indicated in the instructions manual.
2. Do not use the fly swatter to hit a tennis ball or hard objects as you may damage the surface of the grid. It was designed to neutralize flying insects.
3. When using it, do not touch the grid, which is under voltage, with your hand or any other part of your body, or with a metal object or any object whose material is conductive.
4. Do not insert your fingers or any object to avoid any electric shock in case of contact with the inner racket's grid.
5. DO NOT use near sources of flammable products or liquids.
6. Do not cover it when it is powered on as this could cause overheating. Do not leave it turned on when not in use.
7. DO NOT use at high or very low temperatures.
8. Keep away from sources of heat, direct sunlight, moisture, water or other liquids.
9. DO NOT use it if your hands are wet.
10. This fly swatter is not intended for use by persons (including children) with reduced physical, sensory or mental capabilities, or persons without experience or knowledge, unless they have been given supervision or prior instruction regarding the use of the appliance by a person responsible for their safety.
11. The fly swatter is not a toy. Keep out of reach of children. You have to watch them to make sure they don't play with it.
12. The persons equipped with a pacemaker must remain vigilant when using the fly swatter. They must not touch the grid.
13. Handle the product with care. A blow, shock or fall, even from a low height, can damage it.
14. Do not short-circuit, modify, disassemble or puncture.
15. Check that the fly swatter is in good condition before each use. If the device shows visible damage, the device should not be used.
16. Do not use the appliance in the event of malfunction.
17. Never attempt to disassemble or repair the appliance yourself. Please contact an authorized after-service center. **All repairs must be carried out by a qualified technician.**

## PRODUCT DESCRIPTION



1. Racket
2. Lock/unlock button for the racket
3. On/Off slider to turn on/ off the racket
4. Telescopic handle
5. Button to activate the anti-fly function
6. Battery compartment (on the back)

## TECHNICAL SPECIFICATIONS

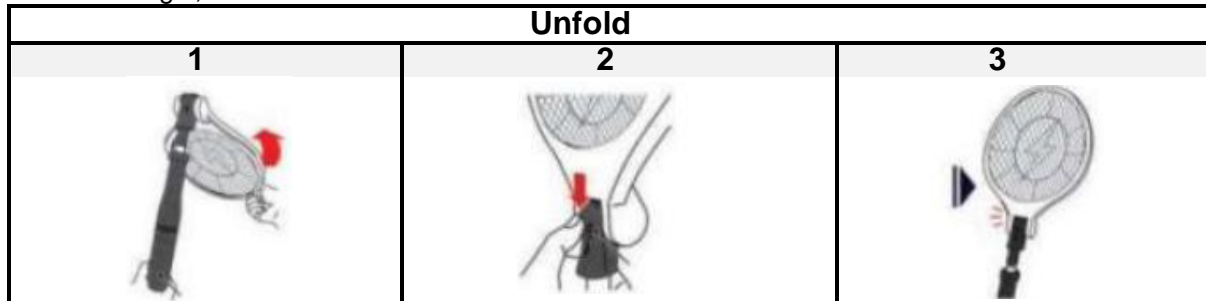
- 2 batteries AA (LR6), 3V  not included
- Power rating of the fly swatter: 1.85W

## INSTALLATION OF BATTERIES

1. Open the battery compartment on the back of the handle.
2. Install the 2 AA batteries, making sure to respect the polarity (+ et -).
3. Install battery compartment cover, then close it.

## OPERATION

Before using it, unfold the **racket**. Proceed as below:



With one hand, hold the handle. Then unfold the racket with the other hand, as shown above.

Once the racket is straight, slide the lock/ unlock slider down to lock it.

The fly swatter is ready to be used.

## Use

1. Push the ON/ OFF slider upwards to the “ON” position.
2. Hold the handle firmly. Note: If you would like to extend the handle length, do this before turning on the **racket**. See section: “Extend the length of the telescopic handle” below.

3. Press and hold the button (5) to activate the anti-fly function.
4. Aim and touch the insect. On contact with the grid, it is neutralized: an electric flash confirms the contact. Release the button (5). When finished using the fly swatter, push the slider (3) to the OFF position.



- **AFTER USING THE ANTI-FLY FUNCTION, DO NOT TOUCH THE METAL GRID OR INSERT YOUR FINGER INSIDE OR ANY OBJECT AS IT MAY CONTAIN RESIDUAL CURRENT. AFTER 3-4 SECONDS, THERE WILL BE NO CURRENT AT ALL.**
- **ALWAYS HOLD THE FLY SWATTER BY THE HANDLE.**
- **DO NOT TOUCH THE GRID WHEN THE FLY SWATTER IS POWER ON.**

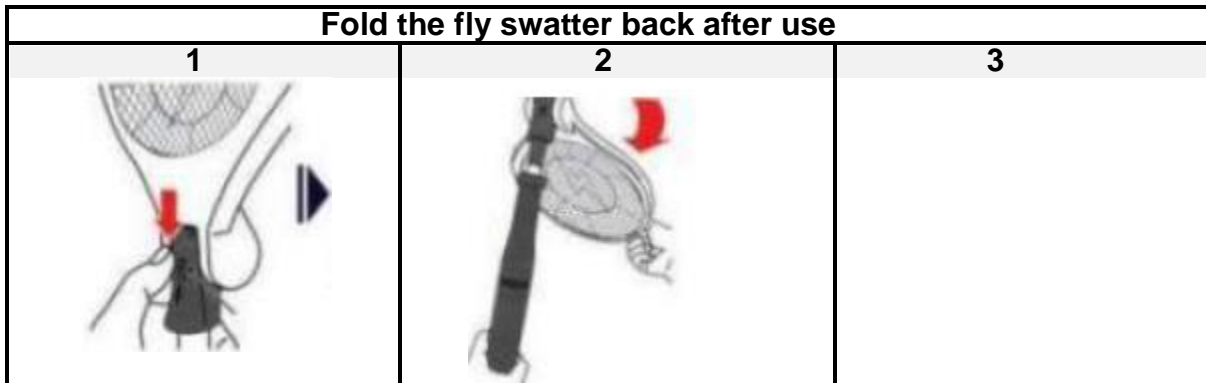
### Extend the length of the telescopic handle



Hold the fly swatter firmly with one hand, then with the other hand pull to extend it as shown in the drawing.

Caution: Do not shake the fly swatter violently or excessively when the handle is fully extended.

### **Fold the fly swatter back after use**



Slide the lock/ unlock button down to unlock the fly swatter.

Lower the fly swatter completely. Store it.

### **BATTERY WARNINGS**



- Remove the batteries if you intend not to use the **fly swatter** for a long time.
- Do not mix alkaline, regular (carbon-zinc), and rechargeable (nickel hydride) batteries.
- Do not mix new and used batteries.
- Do not attempt to recharge non-rechargeable batteries.
- Remove rechargeable batteries from the device (if possible) before charging.
- Rechargeable batteries should always be recharged under adult supervision.
- Remove used batteries.
- Do not short-circuit the power terminals.
- Always use batteries of the recommended or equivalent type.
- Respect the polarity of the batteries.

## CLEANING AND MAINTENANCE

- DO NOT IMMERSE IN WATER OR ANY OTHER LIQUID.
- DO NOT USE ABRASIVES OR CLEANERS.
- DO NOT WASH WITH WATER OR WITH A DAMP CLOTH TO AVOID SHORT CIRCUITS OR ELECTRIC SHOCK.

- Before cleaning, make sure the ON/ OFF slider is in the “OFF” position.
- Regular cleaning of the grid: Use a long-bristled brush with a wooden handle or gently shake the fly swatter to remove dust on the grid and dead insects, which can cause short circuits or damage thereof.
- Cleaning the handle and the edges of the fly swatter: Only wipe a clean, dry, lint-free cloth over them if they are dirty.

**STORAGE:** Store the fly swatter in a cool, dry and ventilated place, away from corrosive chemicals.



**WARNING:** You must not dispose of this appliance with your household waste. A selective collection system for this type of product is set up by the municipalities; you must contact your town hall to find out the locations. Indeed, electrical and electronic products contain dangerous substances which have harmful effects on the environment or human health and must be recycled. This symbol indicates that electrical and electronic equipment is subject to selective collection; it represents a wheeled bin crossed out with a cross.

Imported by EML-PRODIS 1 rue de Rome 93110 Rosny-Sous-Bois – France/ Made in P.R.C.

Marketed by EUROTUPS VERSAND GMBH D-40764 LANGENFELD, Germany

