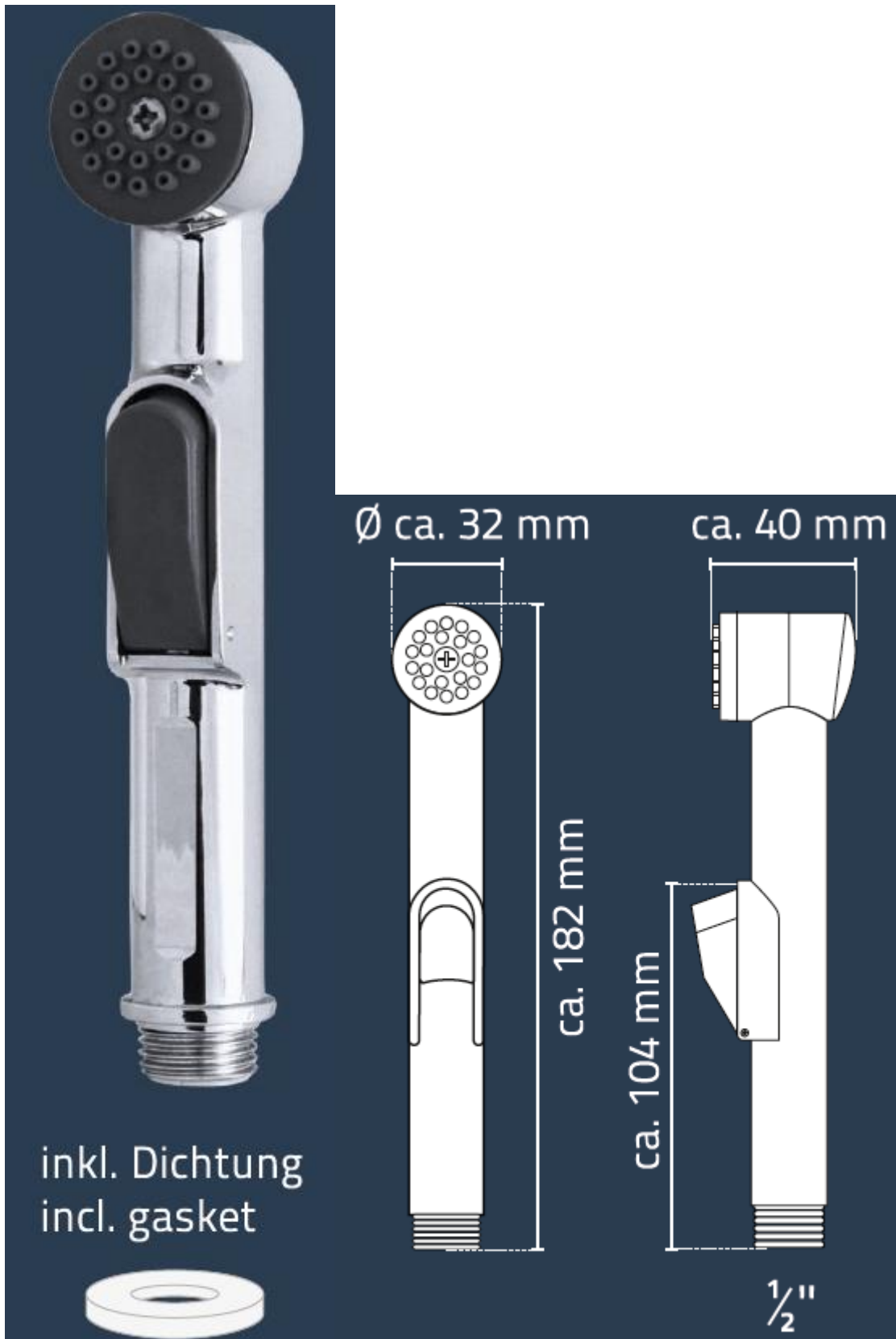


95459 Master





Regen
rain



PUSH

*Acryl-Nitril-Butadien-Styrene/
Polyoxymethylene/
Thermoplastic rubber

091330

RIDDER GmbH
Ridder Straße 1
56379 Singhofen
Germany

www.ridder-online.de



Regen
rain



1/2 Zoll Gewinde
1/2" thread



Durchlauferhitzer
geeignet

suitable for
instantaneous
water heaters



trinkwasser-
geeignet

suitable for
drinking water



geeignet für Hoch-
und Niedrigdruck-
Duschsysteme

suitable for high & low
pressure shower
systems



Easy clean

Anti-Kalk-Düsen
anti-lime-nozzles

GreenOption
Wasser-Spar-Einsatz
Save water cover

SAVES 30% WATER

"Saver"

separat erhältlich / available separately



START



STOP

